

**PLEASE CHECK WWW.MOLEX.COM FOR LATEST PART INFORMATION**

**Part Number:** [0743209133](#)

**Status:** **Active**

**Description:** MicroCross™ DVI-I Digital/ Analog Interface, PCB Receptacle, Panel Mount, Through Hole, Right Angle, with Beveled Metal Pins, Jack Screws, and Back Shield, 0.76µm (30µ") Gold (Au), Lead Free, 29 Circuits

**Documents:**

[Drawing \(PDF\)](#)

[Product Specification PS-74320-001 \(PDF\)](#)

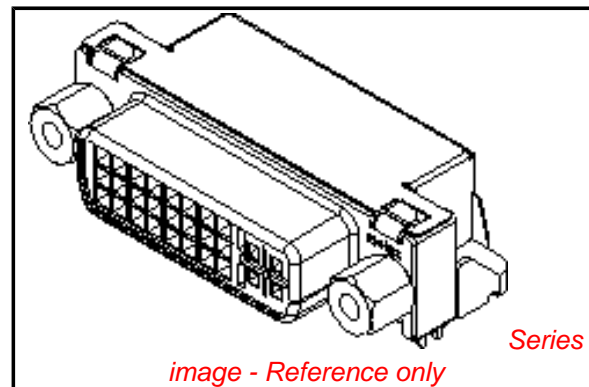
[RoHS Certificate of Compliance \(PDF\)](#)

**General**

Product Family	I/O Connectors
Series	<a href="#">74320</a>
Application	Wire-to-Board
Comments	DDWG (Digital Display Working Group) Standard
Component Type	Receptacle
Product Name	MicroCross™DVI
Type	N/A

**Physical**

Boot Color	N/A
Circuits (Loaded)	24
Circuits (maximum)	24
Color - Resin	Natural
Durability (mating cycles max)	100
Gender	Receptacle
Keying to Mating Part	Yes
Lock to Mating Part	Yes
Material - Metal	Copper Alloy
Material - Plating Mating	Gold
Material - Plating Termination	Tin
Number of Rows	3
Orientation	Right Angle
PC Tail Length (in)	0.092 In
PC Tail Length (mm)	2.34 mm
PCB Locator	Yes
PCB Retention	Yes
Packaging Type	Tray
Panel Mount	Yes
Pitch - Mating Interface (in)	0.075 In
Pitch - Mating Interface (mm)	1.91 mm
Pitch - Term. Interface (in)	0.075 In
Pitch - Term. Interface (mm)	1.91 mm
Plating min: Mating (µin)	30
Plating min: Mating (µm)	0.75
Plating min: Termination (µin)	100
Plating min: Termination (µm)	2.50
Polarized to Mating Part	Yes
Polarized to PCB	Yes
Ports	1
Surface Mount Compatible (SMC)	No
Temperature Range - Operating	-20°C to +85°C
Termination Interface: Style	Through Hole
Waterproof / Dustproof	No
Wire Size AWG	N/A



*image - Reference only*

**EU RoHS**

**ELV and RoHS Compliant**

**REACH SVHC**

Not Reviewed

**Halogen-Free**

**Status**

**Not Reviewed**

**China RoHS**



**Need more information on product environmental compliance?**

Email [productcompliance@molex.com](mailto:productcompliance@molex.com)  
For a multiple part number RoHS Certificate of Compliance, [click here](#)

Please visit the [Contact Us](#) section for any non-product compliance questions.

**Search Parts in this Series**

[74320Series](#)

**Mates With**

[88744](#) , [74323](#)

**Electrical**

Current - Maximum per Contact	3A
Grounding to Panel	Yes
Shield Type	Full Shield
Shielded	Yes
Voltage - Maximum	40V AC (RMS)

**Solder Process Data**

Lead-free Process Capability	Wave Capable (TH only)
------------------------------	------------------------

**Material Info****Reference - Drawing Numbers**

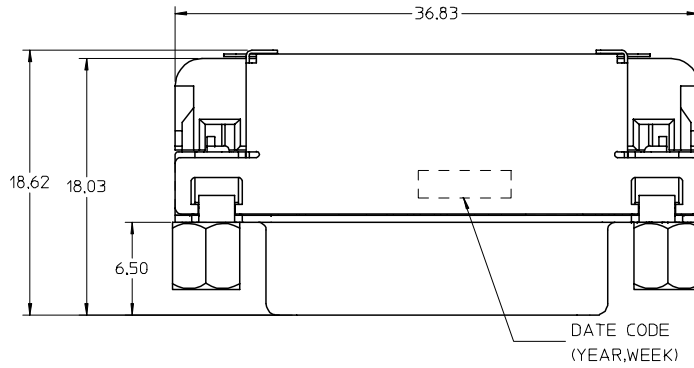
Packaging Specification	PK-74320-010
Product Specification	PS-74320-001
Sales Drawing	SD-74320-046

This document was generated on 05/10/2010

**PLEASE CHECK [WWW.MOLEX.COM](http://WWW.MOLEX.COM) FOR LATEST PART INFORMATION**

J  
I  
H  
G  
F  
E  
D  
C  
B  
A

J  
I  
H  
G  
F  
E  
D  
C  
B  
A



NOTES:

1.MATERIALS:

- FRONT SHIELD -- DEEP DRAW STEEL.
- BACK SHIELD -- STAINLESS STEEL.
- HOUSING --GLASS FILLED POLYMER,WHITE/NATURE,UL 94V-0.
- TAIL ALIGNER -- GLASS FILLED POLYMER,WHITE/NATURE,UL 94V-0.
- CONTACT -- COPPER ALLOY.
- MICROCROSS GROUND -- COPPER ALLOY.

2.PLATING : SEE SHEET 2

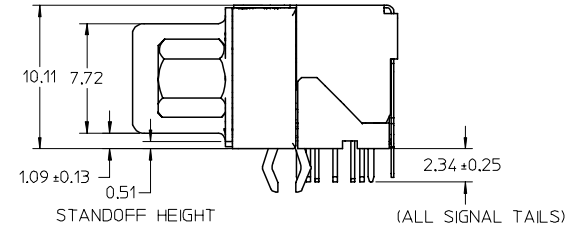
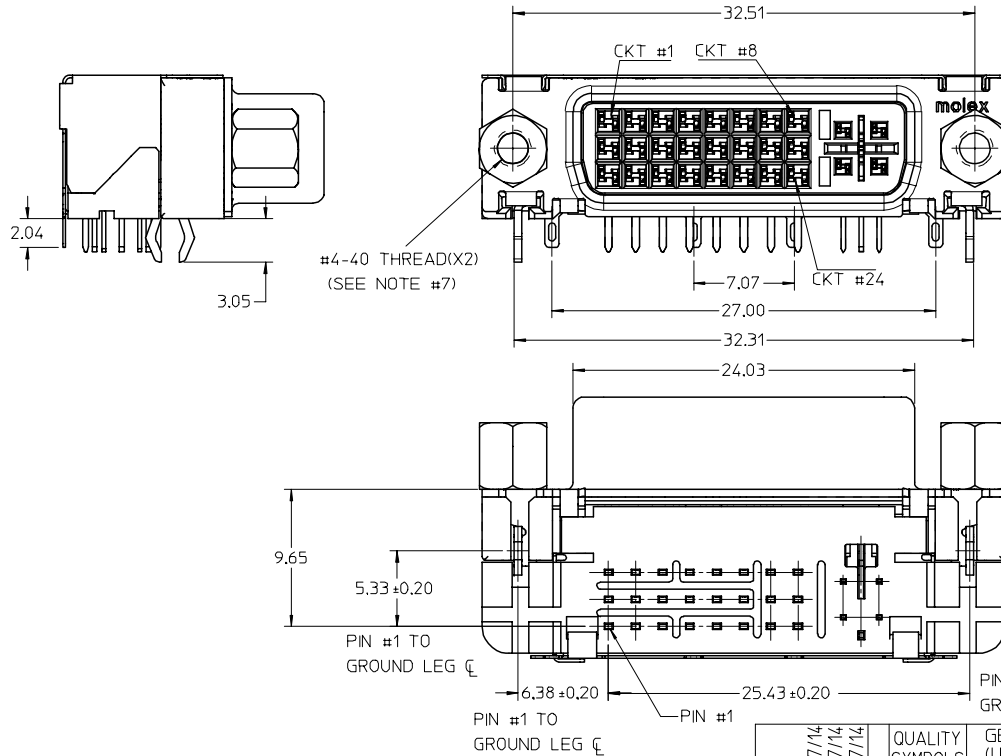
3.PRODUCT CONFORMS TO MOLEX PRODUCT SPECIFICATION NUMBER PS-74320-001

4.SEE SHEET 2 FOR RECOMMENDED PANEL CUT-OUT AND P.C.B.LAYOUT.

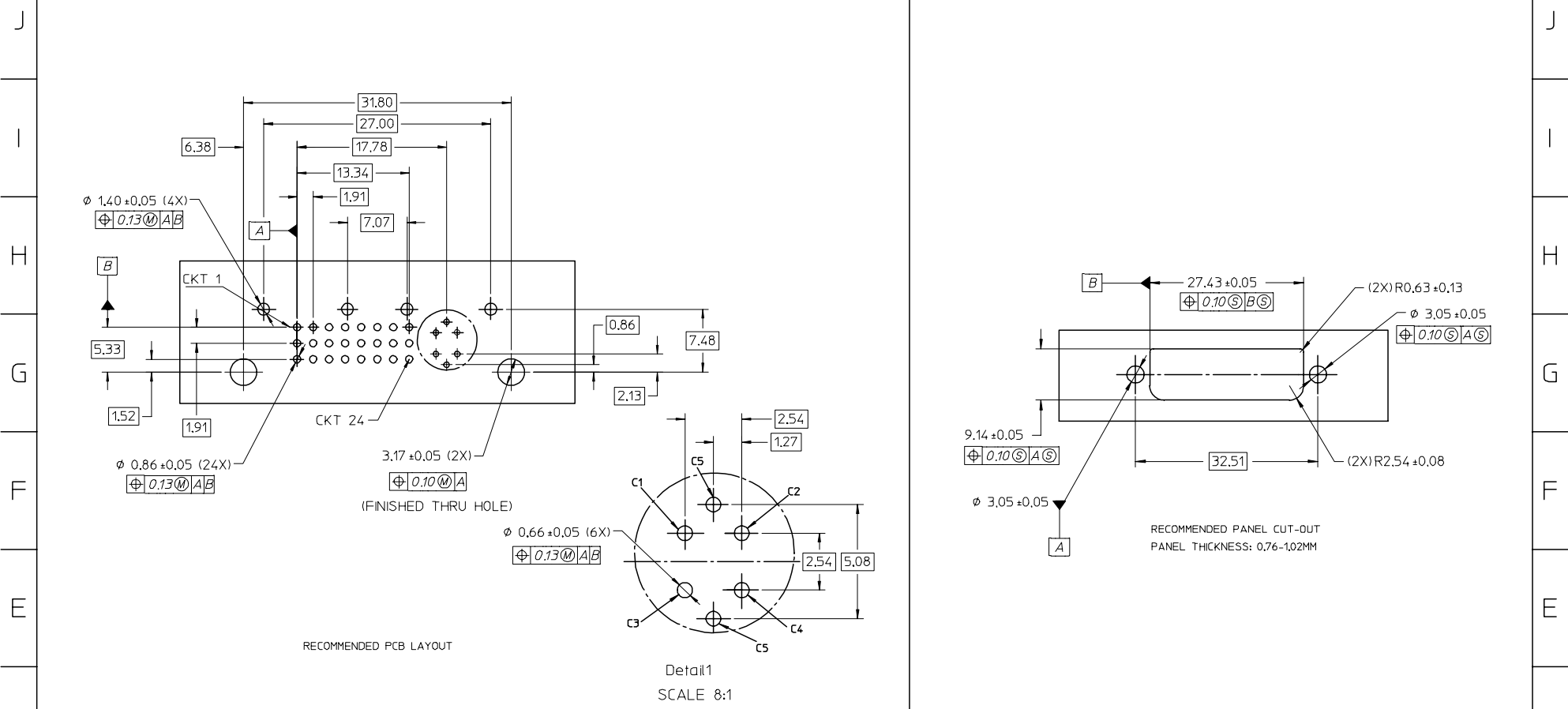
5.PARTS WILL BE PACKAGED IN TRAYS PER PK-74320-044.

6.PRODUCT CONFIRMS TO DDWG DVI SPECIFICATION,REFER TO THIS SPECIFICATION FOR CONNECTOR MATING DIMENSIONS.

7.MOUNTING HARDWARE IS MOLEX P/N 88780-6066.REFER TO PRODUCT SPECIFICATION NUMBER PS-74320-001 FOR THE APPLICATION TORQUE REQUIREMENT FOR ASSEMBLING MOUNTING HARDWARE.



NEW RELEASE EC NO: SH2005-0004 DRAWN:DXUE 2004/07/14 CHKD: 2004/07/14 APPR:YTYAP 2004/07/14	DESCRIPTION REV	QUALITY SYMBOLS	GENERAL TOLERANCES (UNLESS SPECIFIED)	SCALE 4:1	DESIGN UNITS METRIC	THIRD ANGLE PROJECTION	REVISE ON CAD ONLY																
		▽ - 0 □ - 0	<table border="1"> <thead> <tr> <th></th> <th>mm</th> <th>INCH</th> </tr> </thead> <tbody> <tr> <td>4 PLACES</td> <td>± ---</td> <td>± ---</td> </tr> <tr> <td>3 PLACES</td> <td>± ---</td> <td>± ---</td> </tr> <tr> <td>2 PLACES</td> <td>± 0.25</td> <td>± ---</td> </tr> <tr> <td>1 PLACE</td> <td>± 0.25</td> <td>± ---</td> </tr> </tbody> </table>		mm	INCH	4 PLACES	± ---	± ---	3 PLACES	± ---	± ---	2 PLACES	± 0.25	± ---	1 PLACE	± 0.25	± ---	DIMENSION STYLE MM ONLY	TITLE	DVI-I RIGHT ANGLE RECEPTACLE CONNECTOR WITH SCREW AND SHIELDING		
			mm	INCH																			
		4 PLACES	± ---	± ---																			
3 PLACES	± ---	± ---																					
2 PLACES	± 0.25	± ---																					
1 PLACE	± 0.25	± ---																					
		ANGULAR ±1/2° DRAFT WHERE APPLICABLE MUST REMAIN WITHIN DIMENSIONS	APPROVED BY DATE CHECKED BY DATE	MATERIAL NO. 74320-9133	DOCUMENT NO. SD-74320-046	SHEET NO. 1 OF 2																	
THIS DRAWING CONTAINS INFORMATION THAT IS PROPRIETARY TO MOLEX INCORPORATED AND SHOULD NOT BE USED WITHOUT WRITTEN PERMISSION							C																



RECOMMENDED PCB LAYOUT

Detail 1  
SCALE 8:1

RECOMMENDED PANEL CUT-OUT  
PANEL THICKNESS: 0.76-1.02MM

PLATING OPTIONS:

PLATING OPTION #1:

FRONT SHIELD -- 150u"/3.75um MIN, BRIGHT TIN OVER  
50u"/1.27um MIN, NICKEL OVER COPPER FLASH.  
BACK SHIELD -- 50u"/1.27um MIN, BRIGHT TIN OVER  
50u"/1.27um MIN, NICKEL OVER COPPER FLASH.

.075"/1.91mm CONTACTS -- 30u"/0.75um MIN, SELECT GOLD AND  
100u"/2.50um MIN, SELECT TIN  
OVER 50u"/1.27um MIN, NICKEL OVERALL.

.100"/2.54mm CONTACTS -- 30u"/0.75um MIN, SELECT GOLD AND  
100u"/2.50um MIN, SELECT TIN,  
OVER 50u"/1.27um MIN, NICKEL OVERALL.

MICROCROSS GROUND -- 30u"/0.75um MIN, SELECT GOLD AND  
100u"/2.50um MIN, SELECT TIN,  
OVER 50u"/1.27um MIN, NICKEL OVERALL.

NEW RELEASE EC NO: SH2005-0004 DRWN:DXUE 2004/07/14 CHKD: 2004/07/14 APPR:YTYAP 2004/07/14	DESCRIPTION REV	QUALITY SYMBOLS	GENERAL TOLERANCES (UNLESS SPECIFIED)		SCALE 4:1	DESIGN UNITS METRIC	THIRD ANGLE PROJECTION	REVISE ON CAD ONLY	
		<p>▽-0</p> <p>▽C-0</p>		mm	INCH	DIMENSION STYLE MM ONLY		TITLE	
			4 PLACES	± ---	± ---	DRAWN BY DXUE		DATE 2004/7/9	DVI-I RIGHT ANGLE RECEPTACLE CONNECTOR WITH SCREW AND SHIELDING
			3 PLACES	± ---	± ---	CHECKED BY		DATE	
	2 PLACES	± 0.25	± ---	APPROVED BY		DATE	MATERIAL NO. 74320-9133		
	1 PLACE	± 0.25	± ---	DOCUMENT NO. SD-74320-046		SHEET NO. 2 OF 2			
DRAFT WHERE APPLICABLE			ANGULAR ±1/2°		THIS DRAWING CONTAINS INFORMATION THAT IS PROPRIETARY TO MOLEX INCORPORATED AND SHOULD NOT BE USED WITHOUT WRITTEN PERMISSION				
MUST REMAIN WITHIN DIMENSIONS									